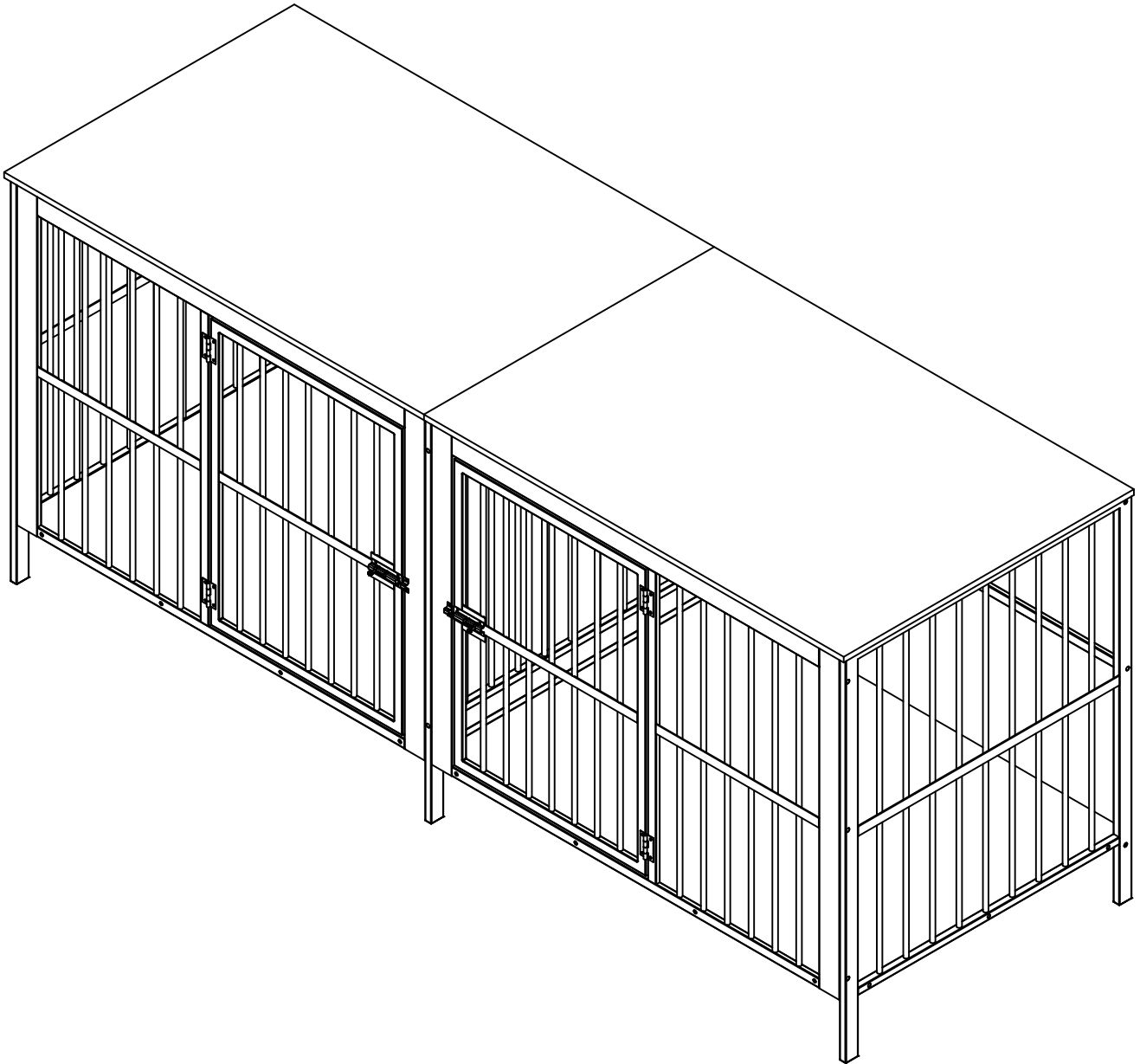


Assembly Instruction

DGC230A





General Guidelines

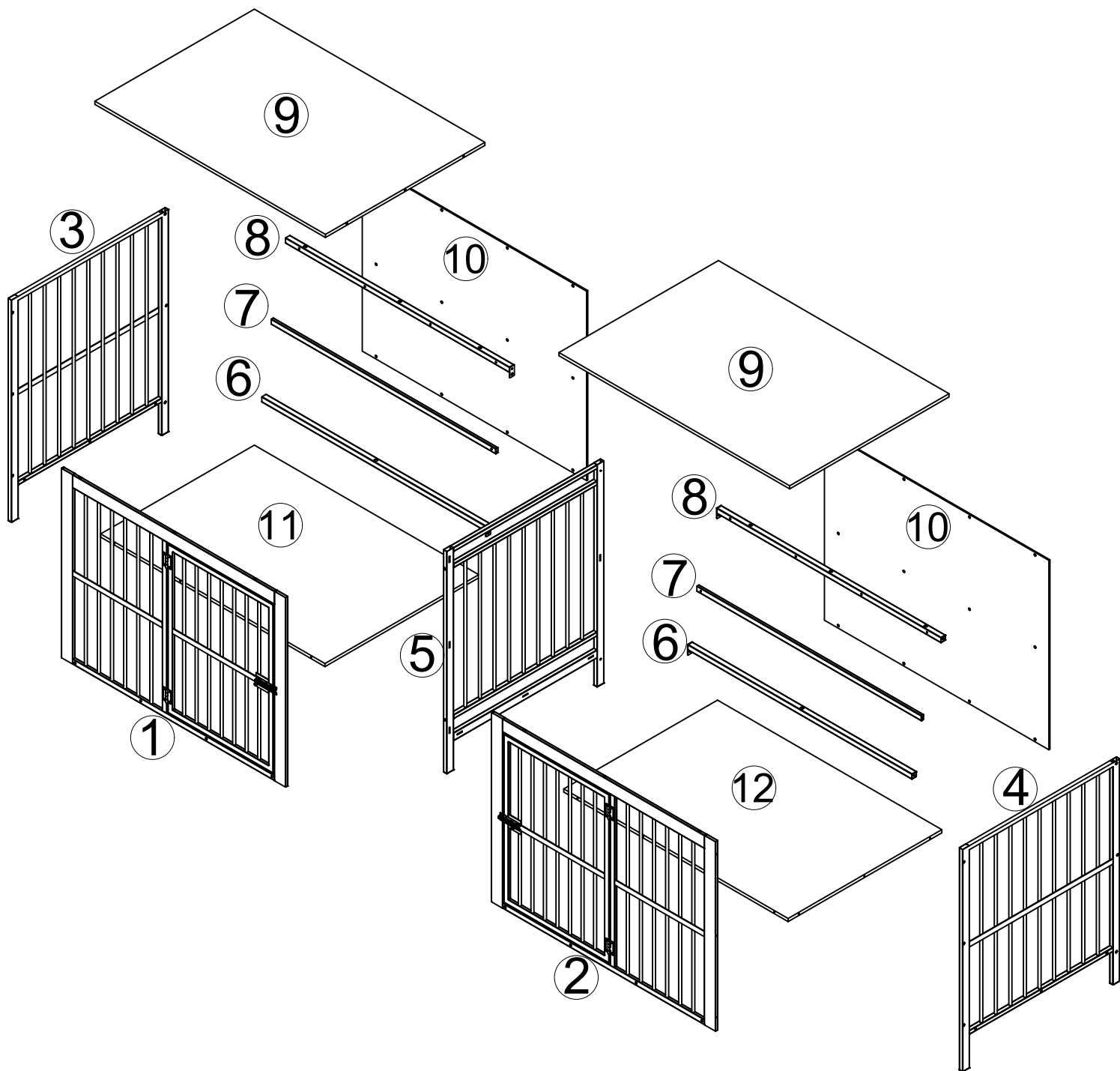
- Please read the following instructions carefully and use the product accordingly.
- Please keep this manual and hand it over when you transfer the product.
- This summary may not include every detail of all variations and considered steps. Please contact us when further information and help are needed.

Notes

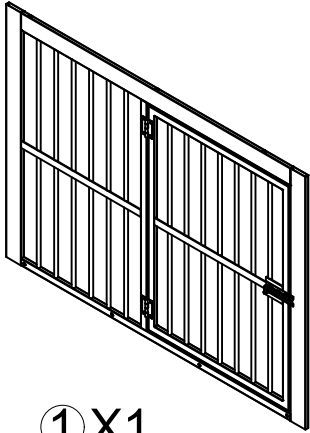
- The product is intended for indoor use only. The product must be assembled and used in accordance with the provisions of the manual. Personal injury and/or damage to the product may occur if products are used outside of their intended purposes and/or if products have been changed/modified from their original design.
- The seller does not assume any responsibility or liability with respect to any injury/damage caused by incorrect assembly or improper use.
- Avoid long-term exposure to humid environments to prevent mildew.
- Keep the product away from fire sources and high temperatures. Do not expose the product to direct sunlight.
- Do not place any hot objects on the surface of the product.
- If there are any defective or missing parts after unpacking, please cease assembly immediately and contact us.
- Please assemble the item on a spacious surface and do not place the unwrapped product directly on the ground to avoid product damage.
- Please do not stand or sit on the wooden boards.
- Please wear gloves during the assembly and/or disassembly process to avoid scratches from any sharp edges.
- Please match the corresponding part and fitting based on the part number in the manual.
- If the part does not match with the fitting, please check the piece as specified in this manual.
- During assembly, first loosely align all screws with the corresponding pre-drilled holes and then tighten the screws one by one.
- Periodically inspect screw tightness while the product is in use. If necessary, retighten to ensure structural integrity.
- If you accidentally spill water or another liquid on the surface, immediately wipe clean with a dry towel.
- Please keep the product away from sharp, pointed objects and corrosive substances to prevent product damage.
- Please place this item on level, solid ground during use.

Warnings

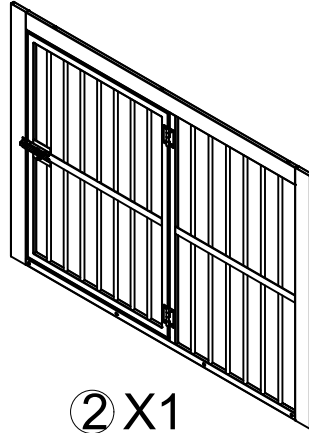
- During assembly, keep all small parts out of the reach of children. It may be fatal if swallowed or inhaled.
- Children should not climb or play on the product in order to avoid tipping over the furniture and causing serious injury.
- To avoid the potential dangers of suffocation, please keep all parts and packaging (film, plastic bags, foam, etc.) away from babies and children.
- Keep sharp objects and corrosive items away from the product to avoid any damage or injury.
- Do not shake or move violently during use to avoid tipping over the product.



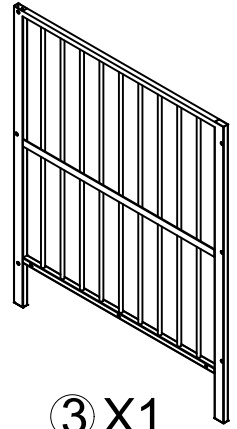
Part list



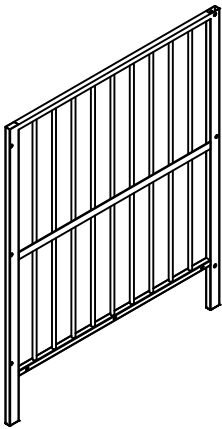
① X1



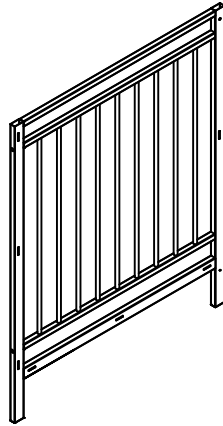
② X1



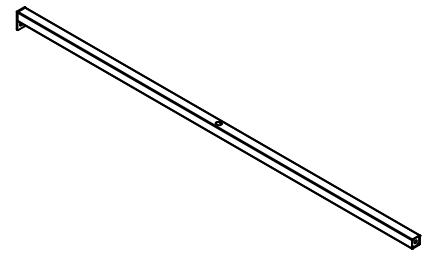
③ X1



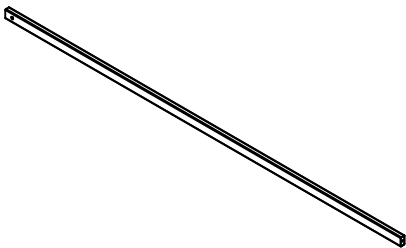
④ X1



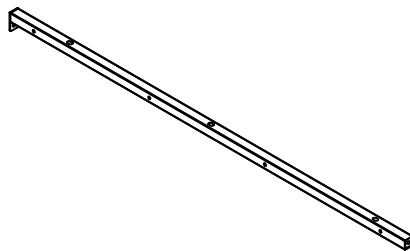
⑤ X1



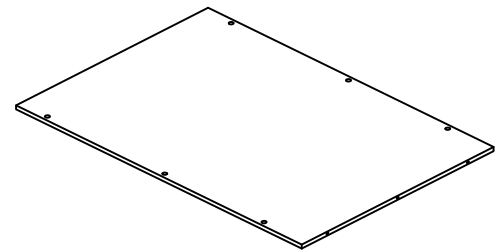
⑥ X2



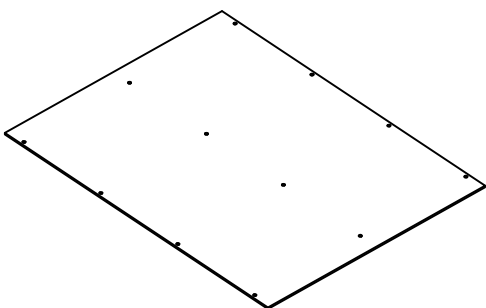
⑦ X2



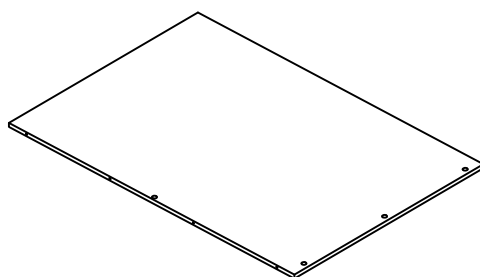
⑧ X2



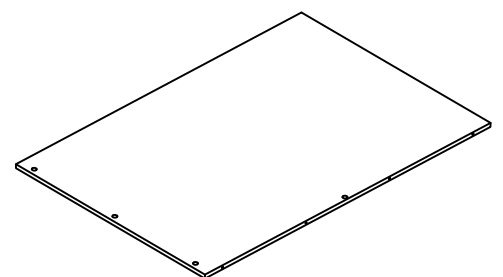
⑨ X2



⑩ X2

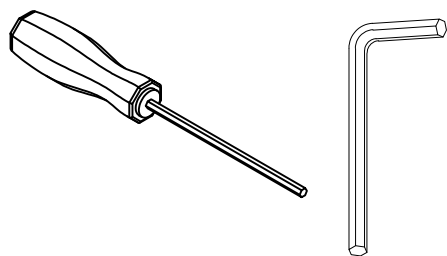


⑪ X1

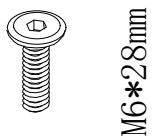


⑫ X1

Hardware list

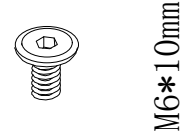


Ⓐ X1



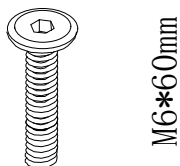
M6*28mm

Ⓑ X20+2



M6*10mm

Ⓒ X30+2



M6*60mm

Ⓓ X6+1



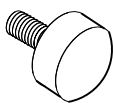
M6*8mm

Ⓔ X4+1

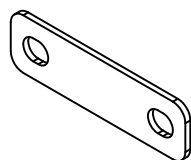


ST5*45mm

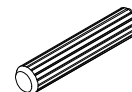
Ⓕ X22+2



Ⓖ X6



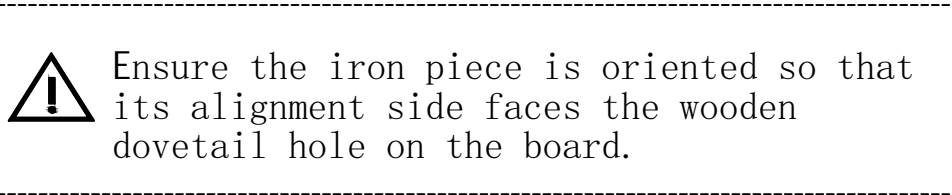
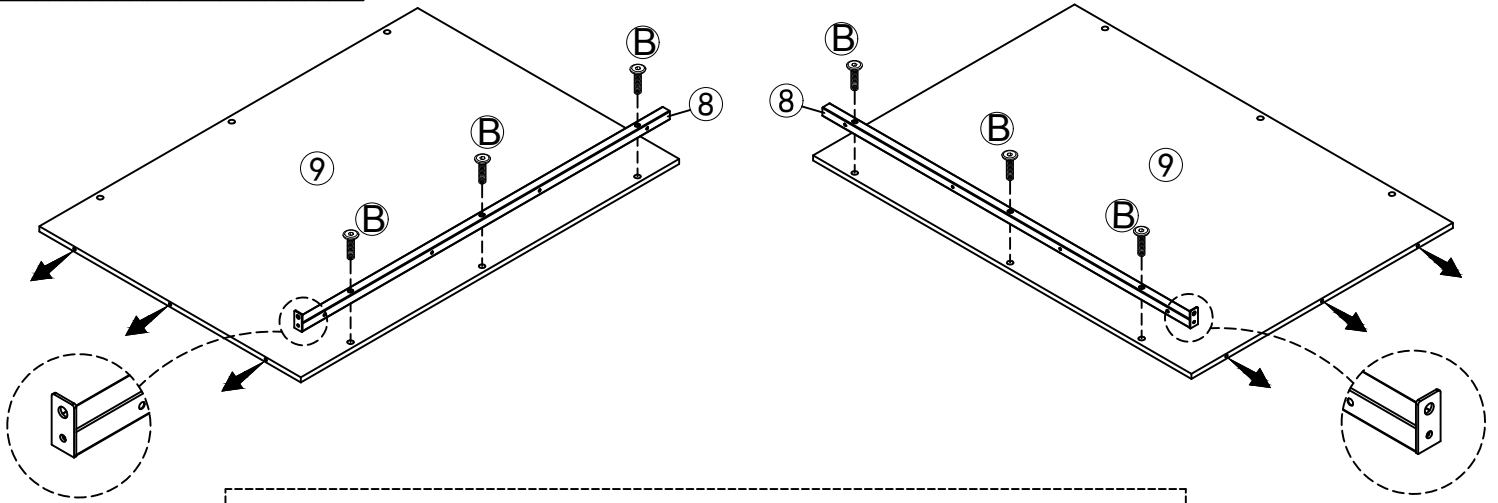
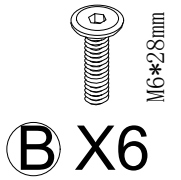
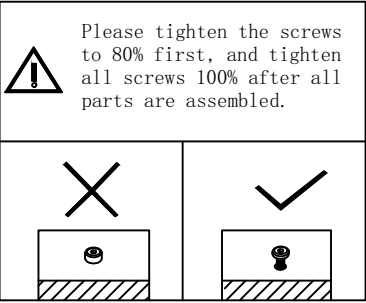
Ⓗ X7



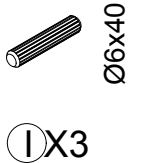
Ø6x40

Ⓘ X3+1

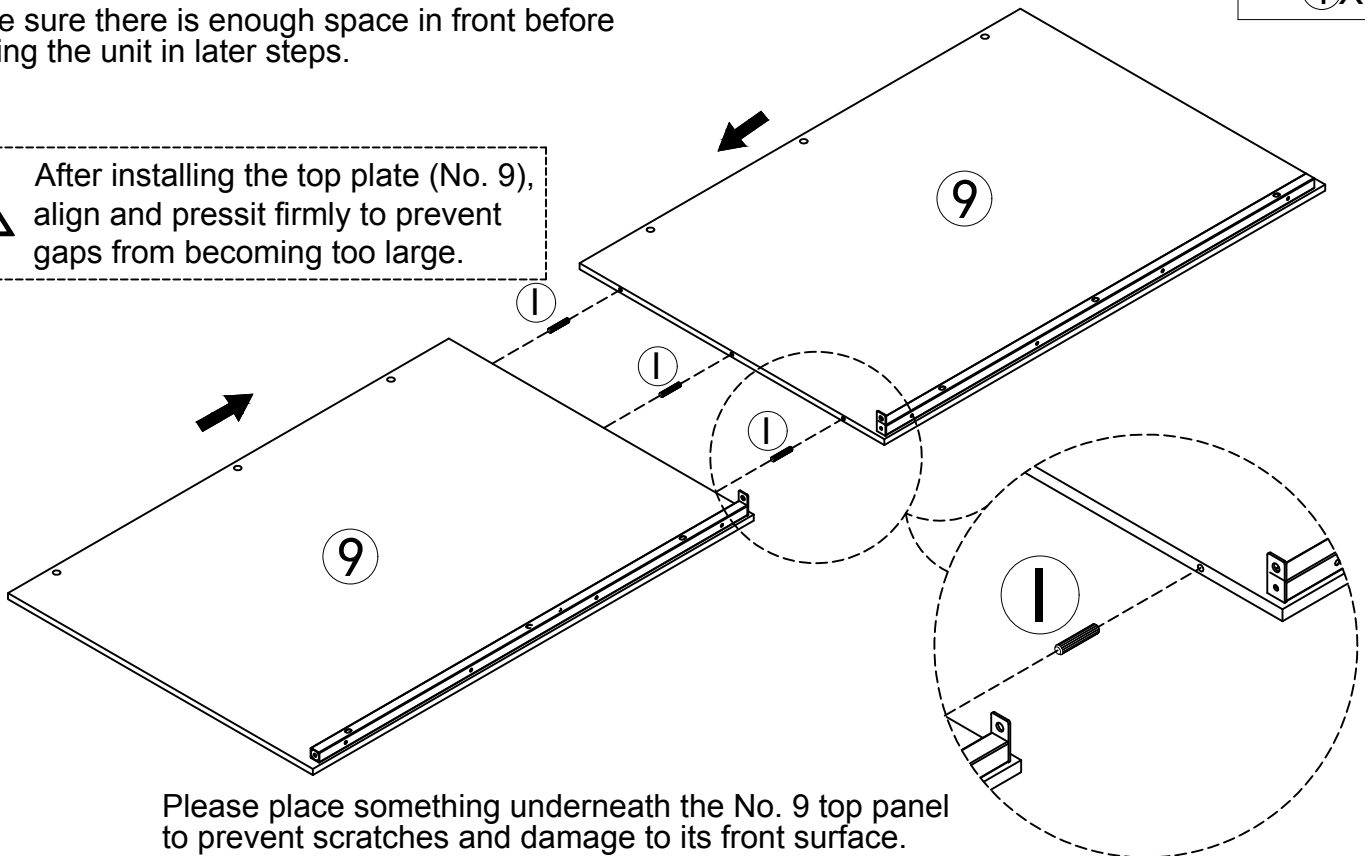
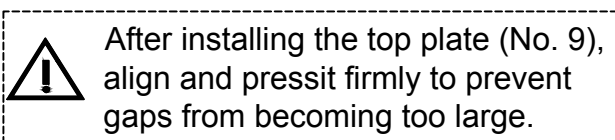
STEP 1



STEP 2



Make sure there is enough space in front before flipping the unit in later steps.



Please place something underneath the No. 9 top panel to prevent scratches and damage to its front surface.

STEP 3

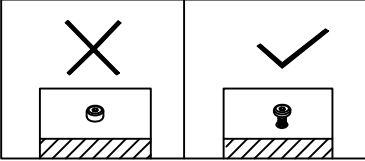


M6*8mm

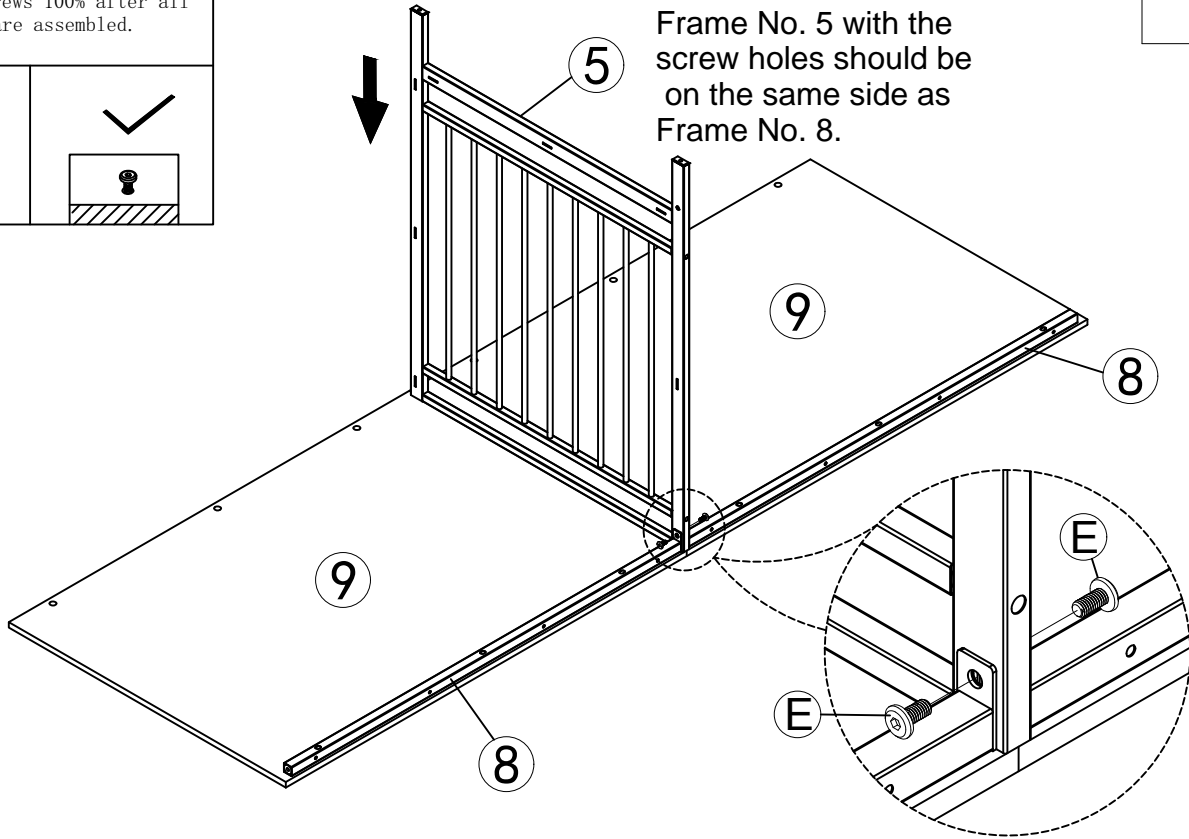
ⓔ X2



Please tighten the screws to 80% first, and tighten all screws 100% after all parts are assembled.

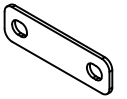


Note: The side of Frame No. 5 with the screw holes should be on the same side as Frame No. 8.

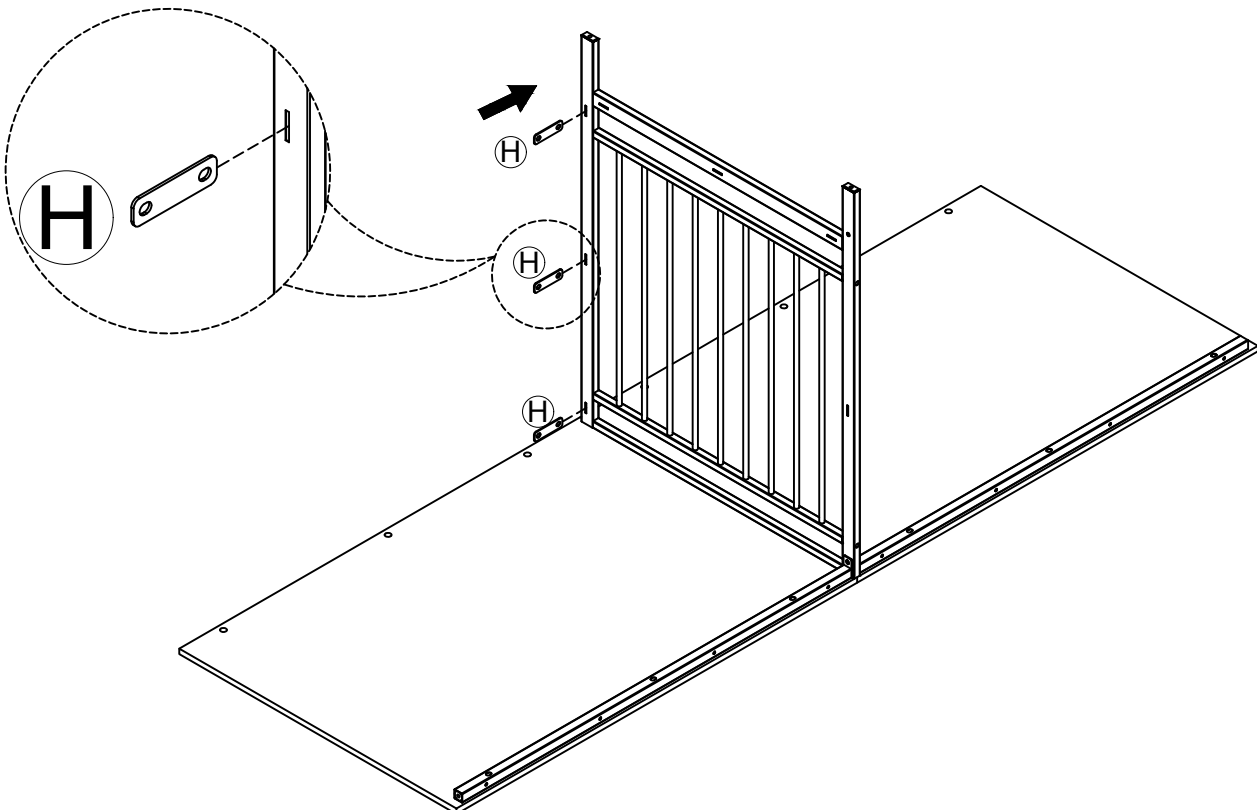


STEP 4

After placing the iron sheet H, please note that for the subsequent steps, it is recommended that two people perform the installation (e.g., one person holds it in place while the other installs) to prevent it from tipping over during the corresponding step.



ⓓ X3





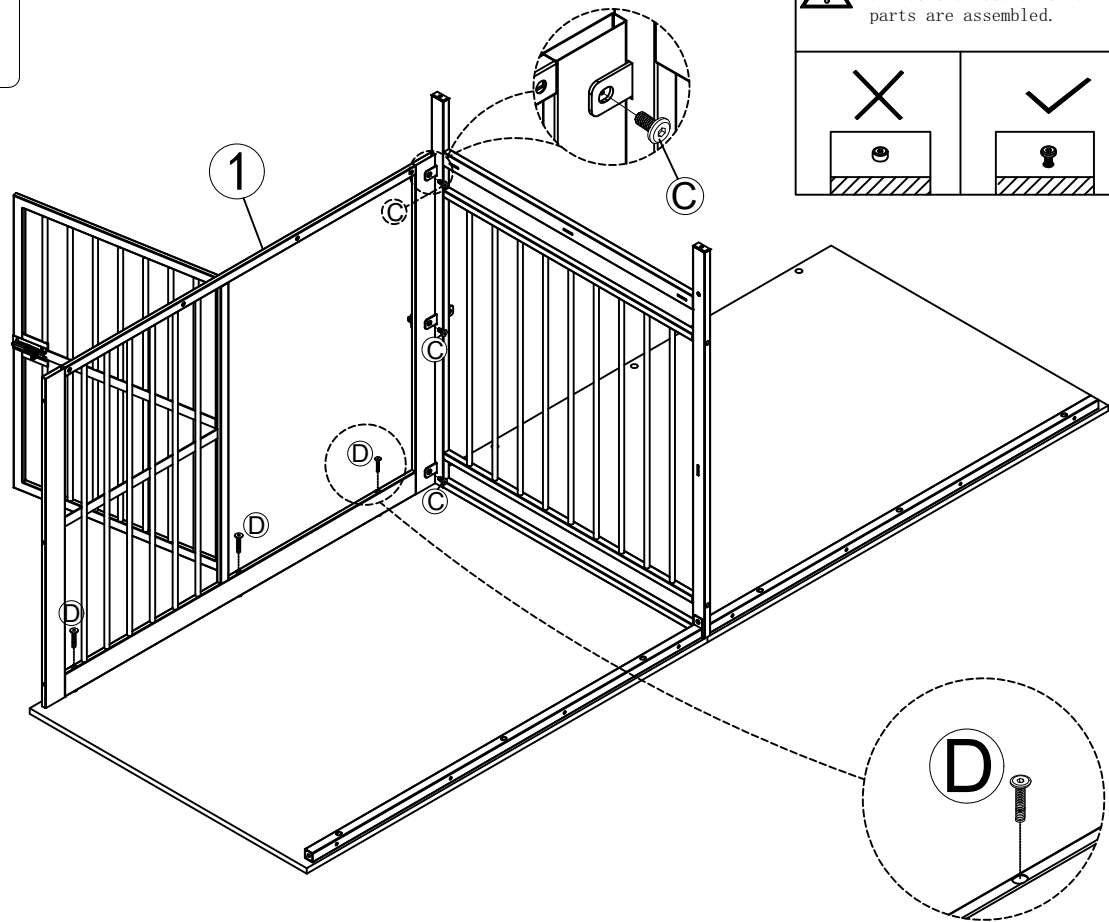
Note: The steps require 2 people to complete

STEP 5

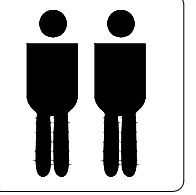
⚠ Please tighten the screws to 80% first, and tighten all screws 100% after all parts are assembled.

--	--

- M6*60mm
- D X3
- M6*10mm
- C X3



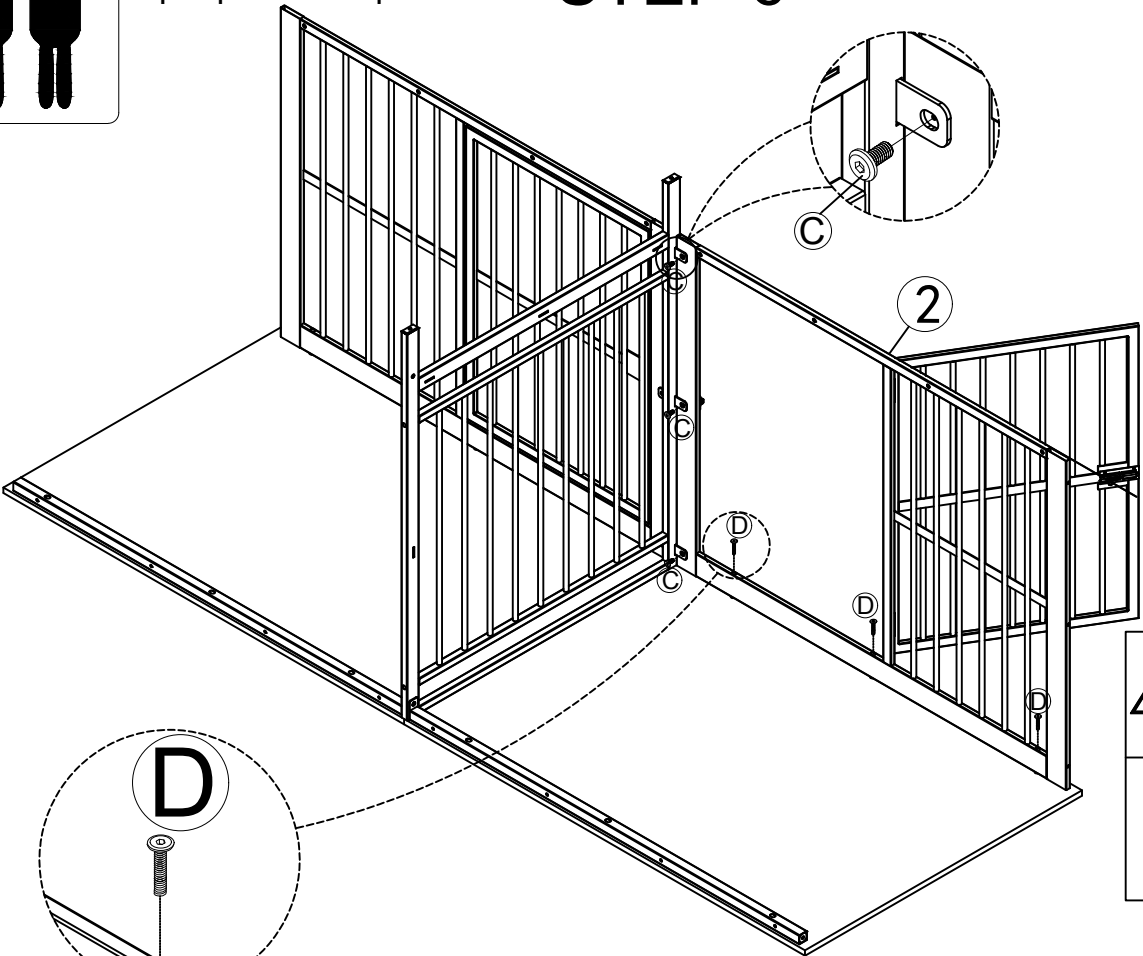
Open the door to install the screws.



Note: The steps require 2 people to complete

STEP 6

- M6*60mm
- D X3
- M6*10mm
- C X3



⚠ Please tighten the screws to 80% first, and tighten all screws 100% after all parts are assembled.

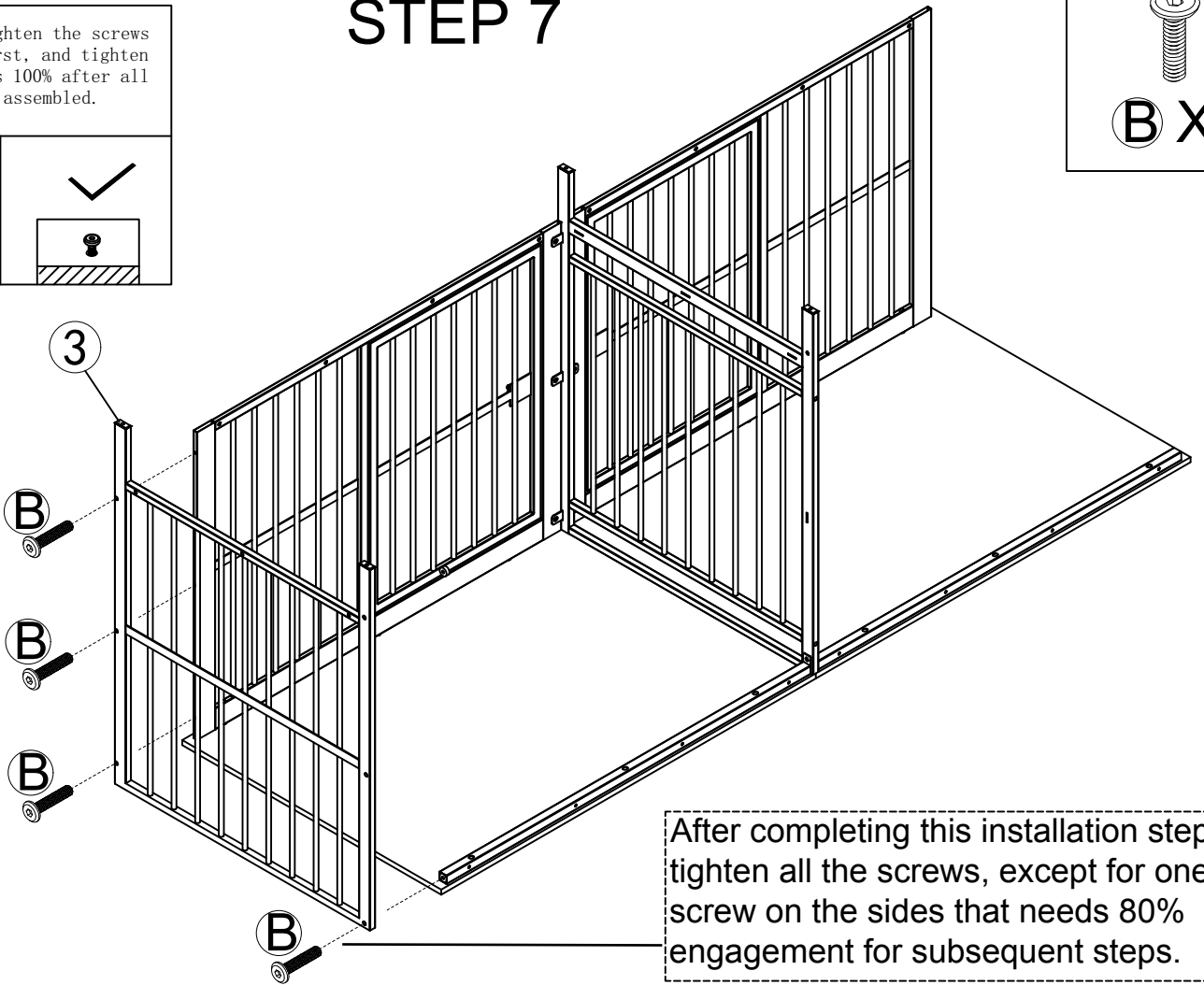
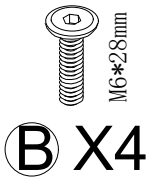
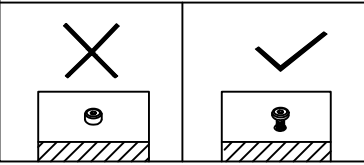
--	--

Open the door to install the screws.

STEP 7



Please tighten the screws to 80% first, and tighten all screws 100% after all parts are assembled.

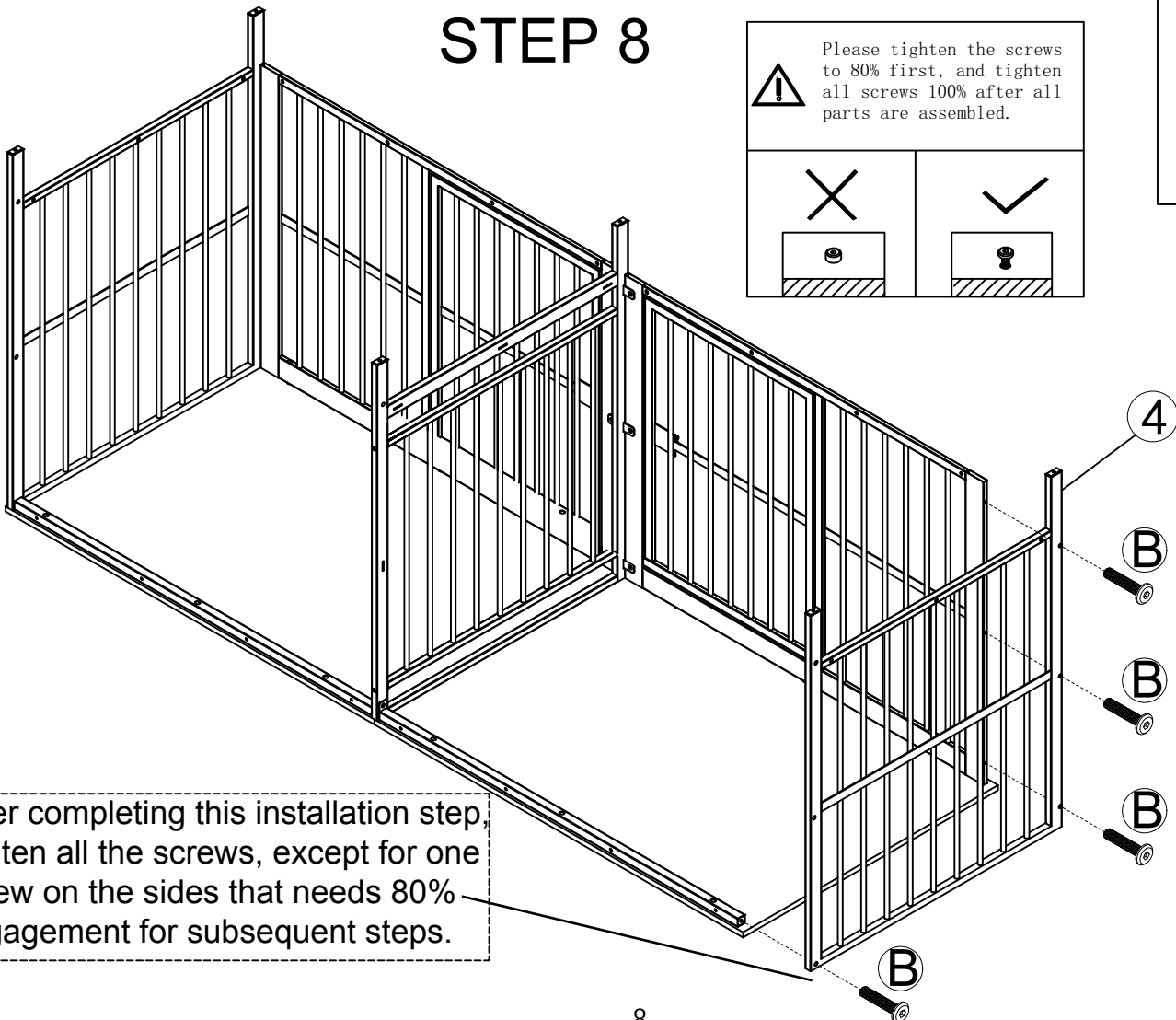
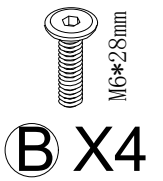
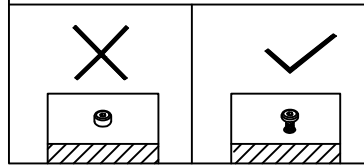


After completing this installation step, tighten all the screws, except for one screw on the sides that needs 80% engagement for subsequent steps.

STEP 8

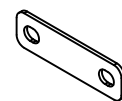
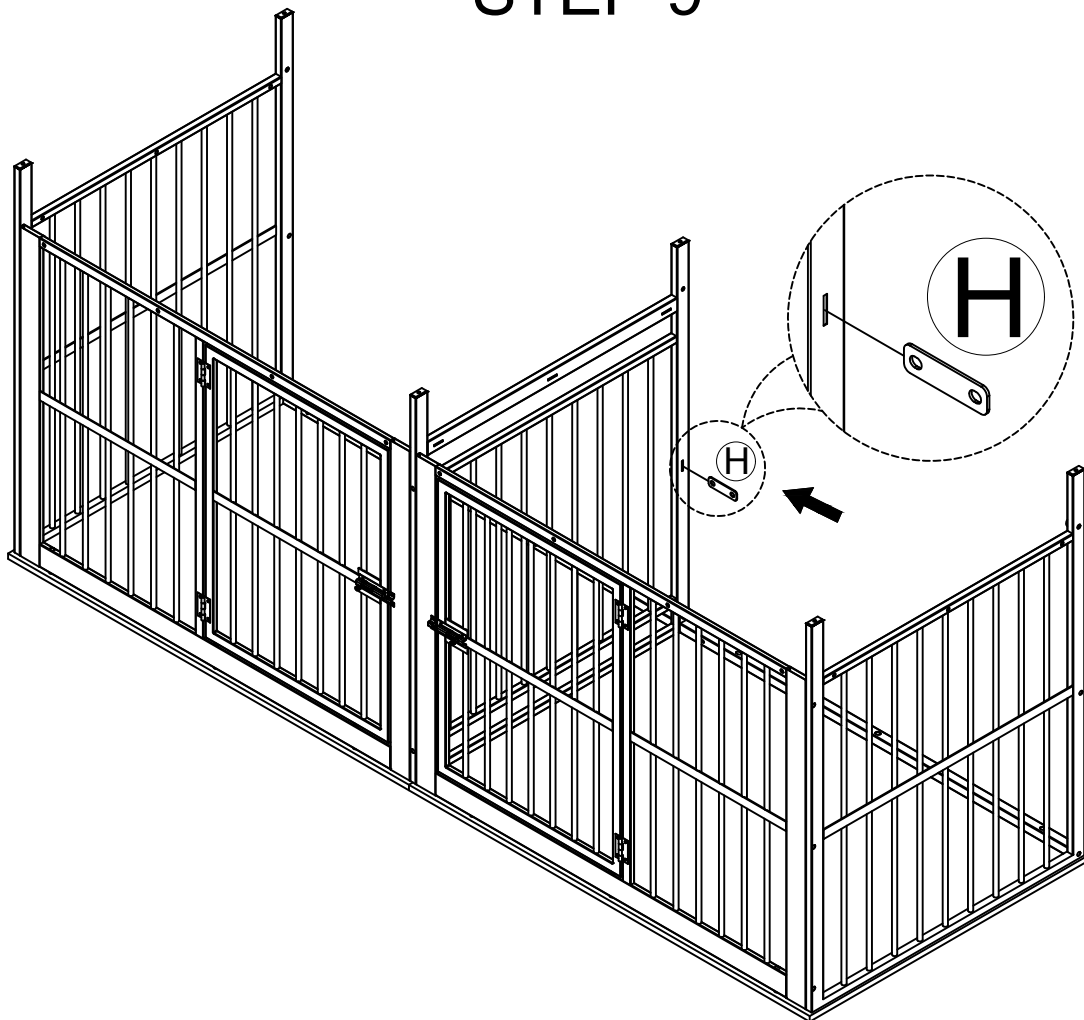


Please tighten the screws to 80% first, and tighten all screws 100% after all parts are assembled.



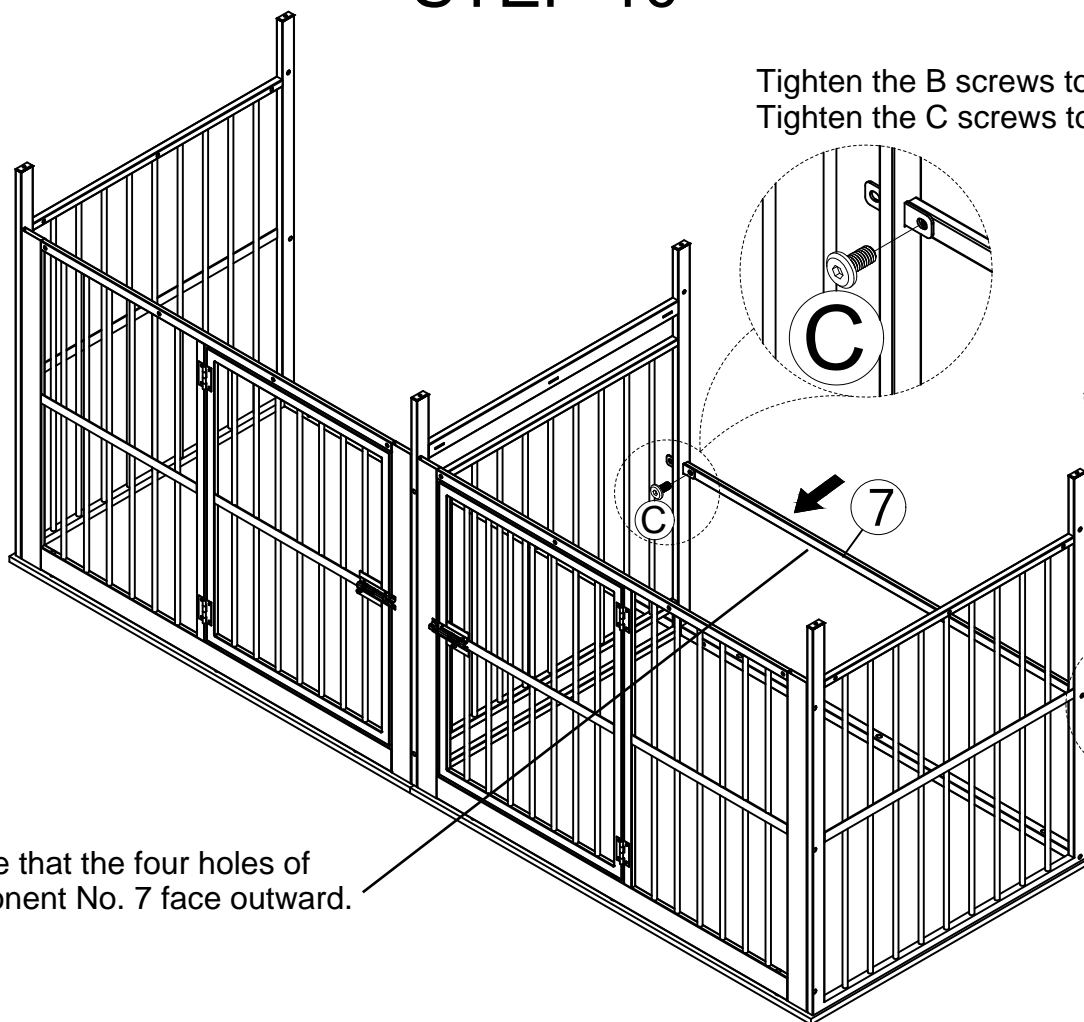
After completing this installation step, tighten all the screws, except for one screw on the sides that needs 80% engagement for subsequent steps.

STEP 9



H X1

STEP 10



Tighten the B screws to 80%.
Tighten the C screws to 100%.



M6*25mm

B X1



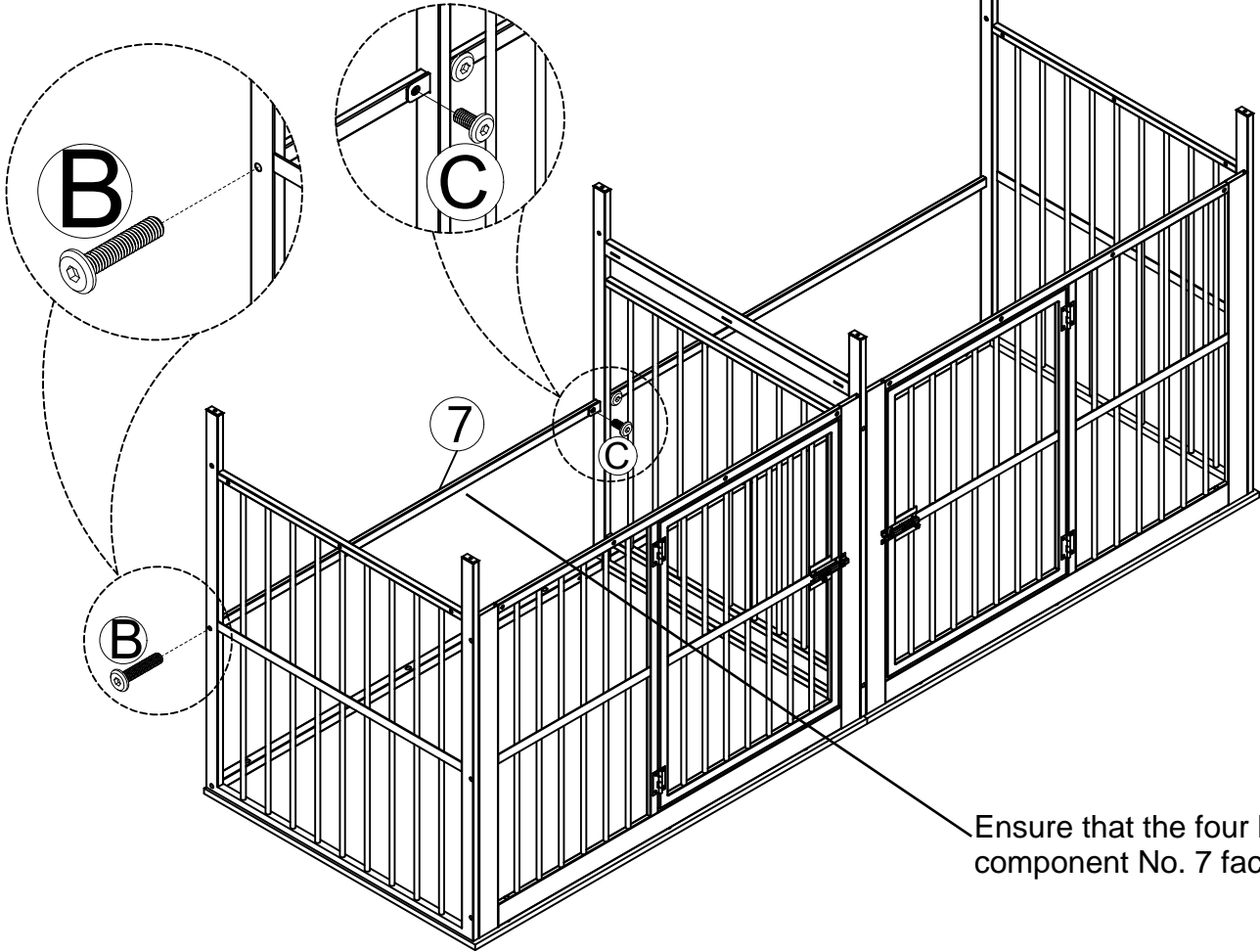
M6*10mm

C X1

Ensure that the four holes of component No. 7 face outward.

Tighten the B screws to 80%.
Tighten the C screws to 100%.

STEP 11



M6*28mm

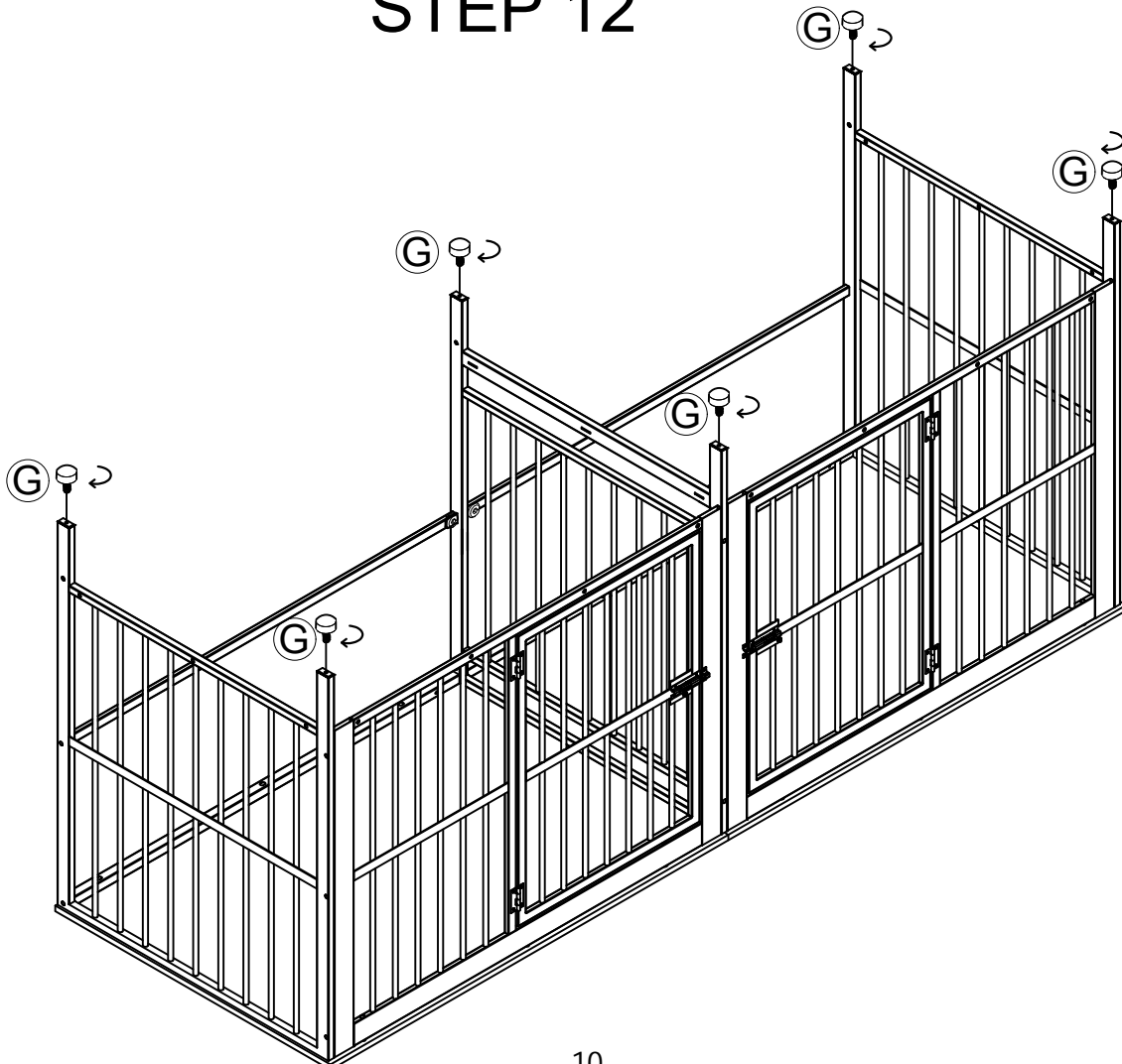
B X1



M6*10mm

C X1

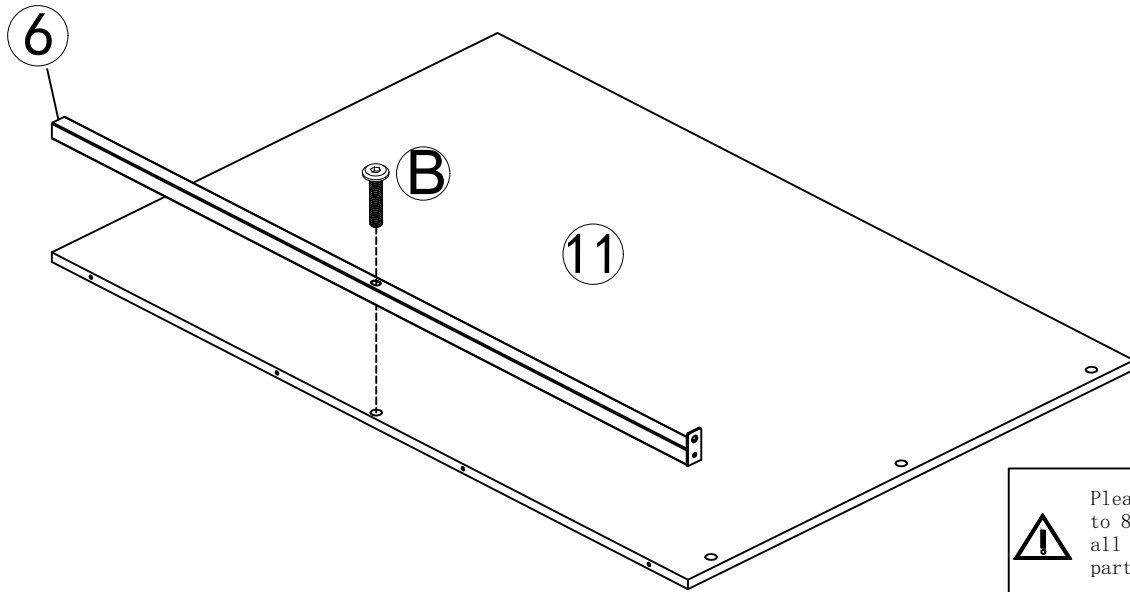
STEP 12




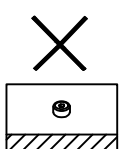
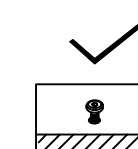
G X6

STEP 13


M6*28mm
B X1

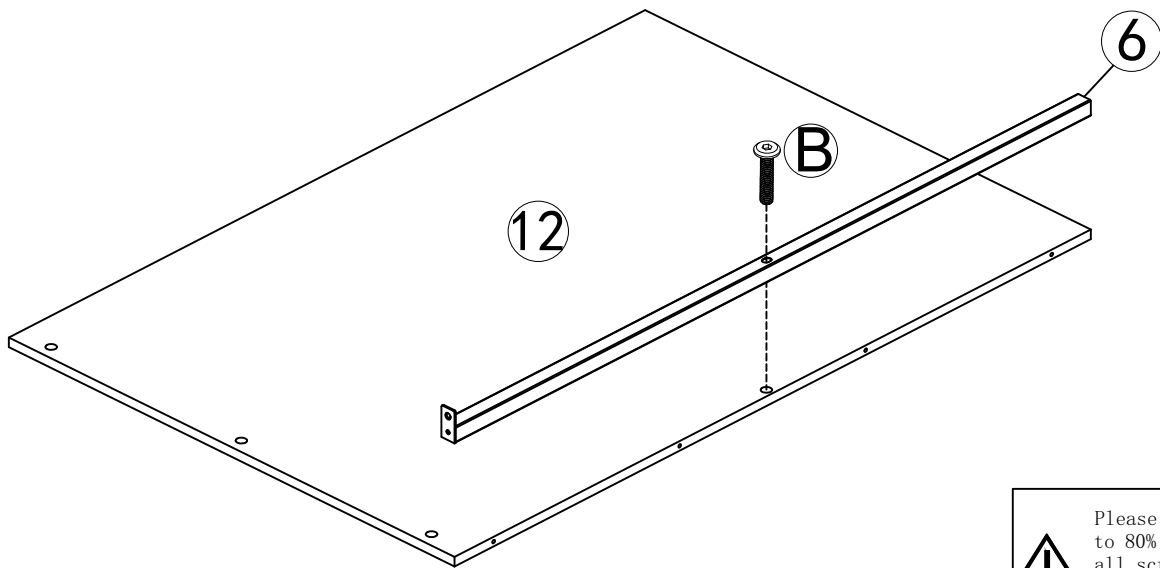



 Please tighten the screws to 80% first, and tighten all screws 100% after all parts are assembled.

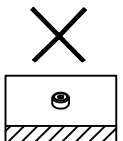
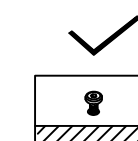
	
--	--

STEP 14

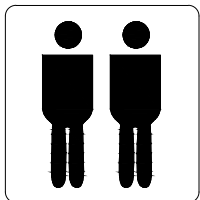

M6*28mm
B X1



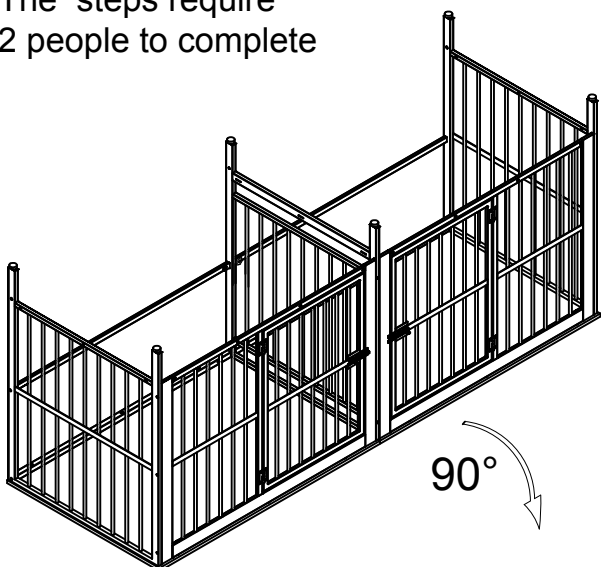
 Please tighten the screws to 80% first, and tighten all screws 100% after all parts are assembled.

	
---	---

STEP 15

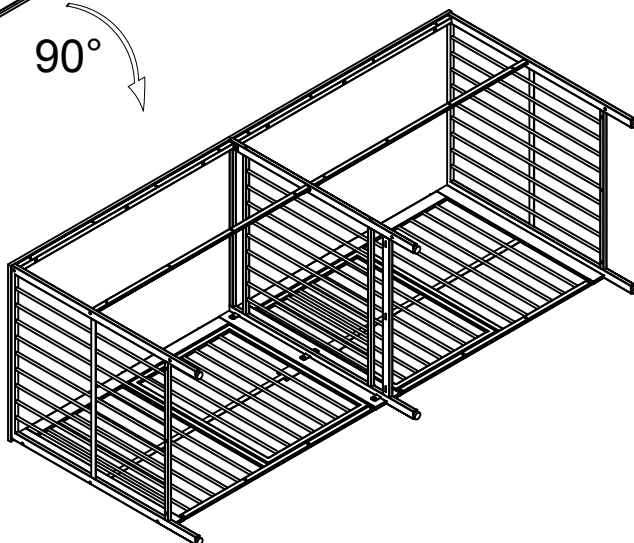


Note:
The steps require
2 people to complete



Before flipping, please ensure that component 10 can be properly installed at the back panel location. If there is any deviation, adjust all the screws in steps 1-11.

90°

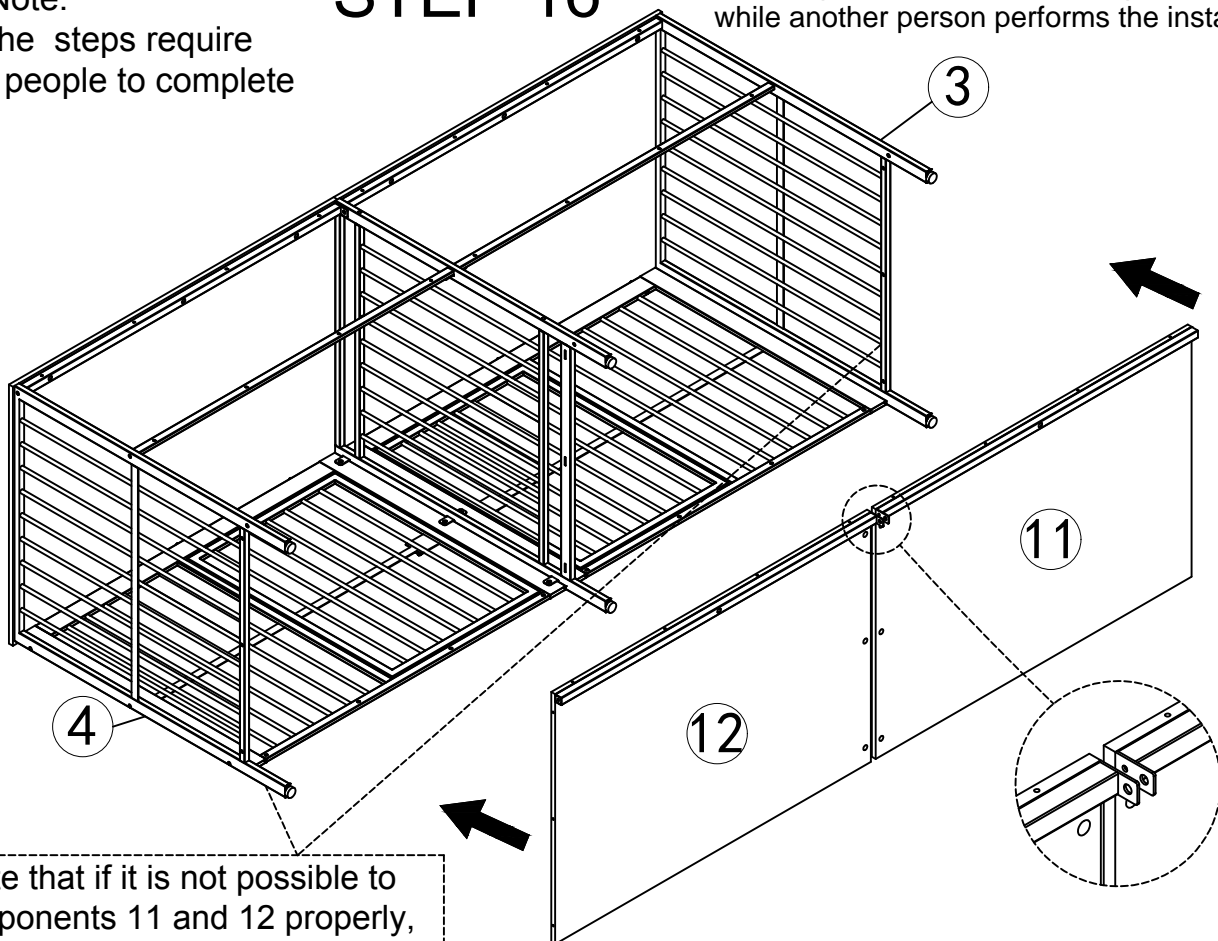


STEP 16



Note:
The steps require
2 people to complete

When installing bottom plates No. 11 and No. 12, one person should hold the parts in place while another person performs the installation.



Please note that if it is not possible to insert components 11 and 12 properly, release the outer screws of components 3 and 4 here.

STEP 17

Tighten the E screws to 80%. Tighten the B and F screws to 100%.



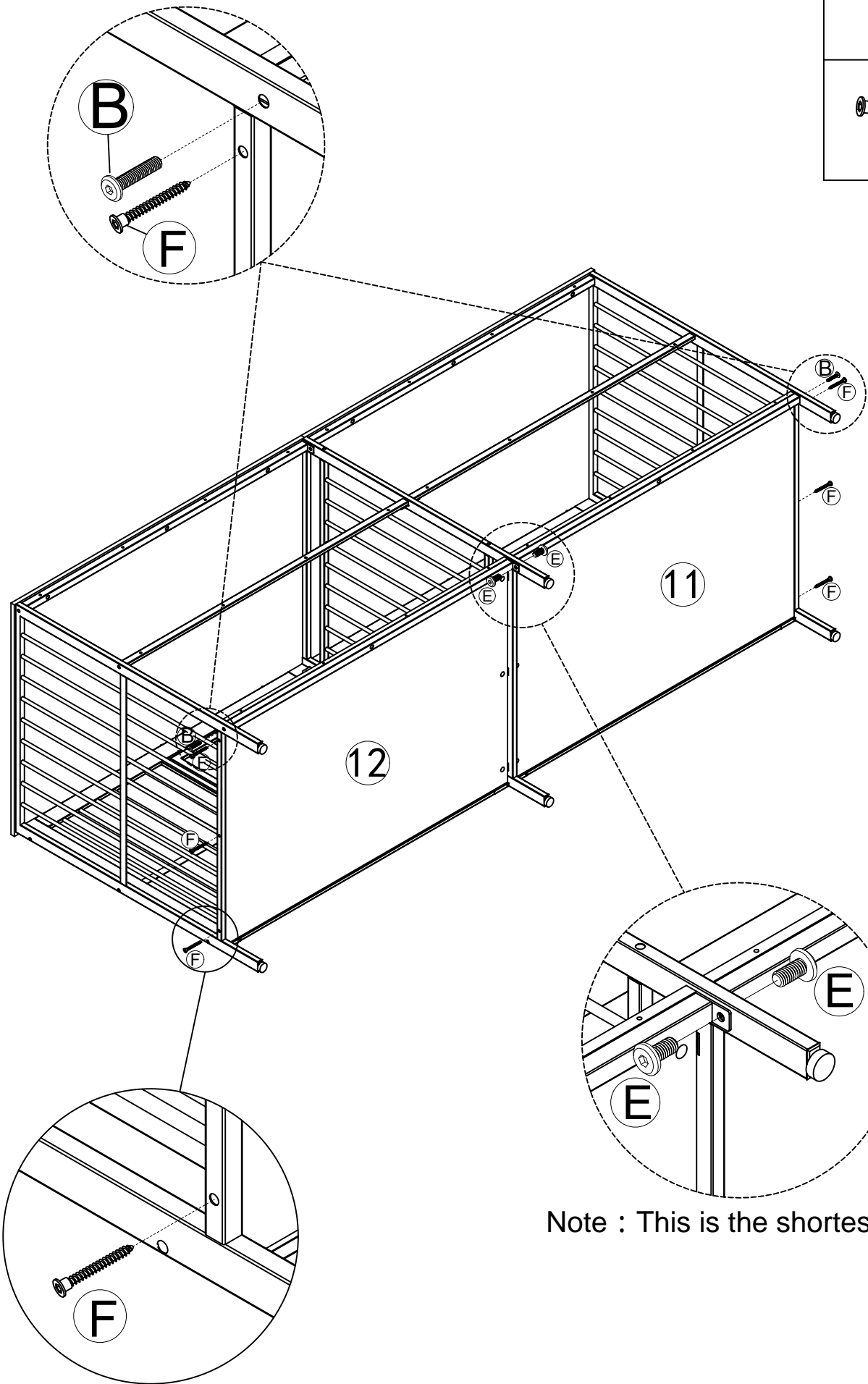
B X2



E X2

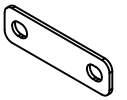


F X6

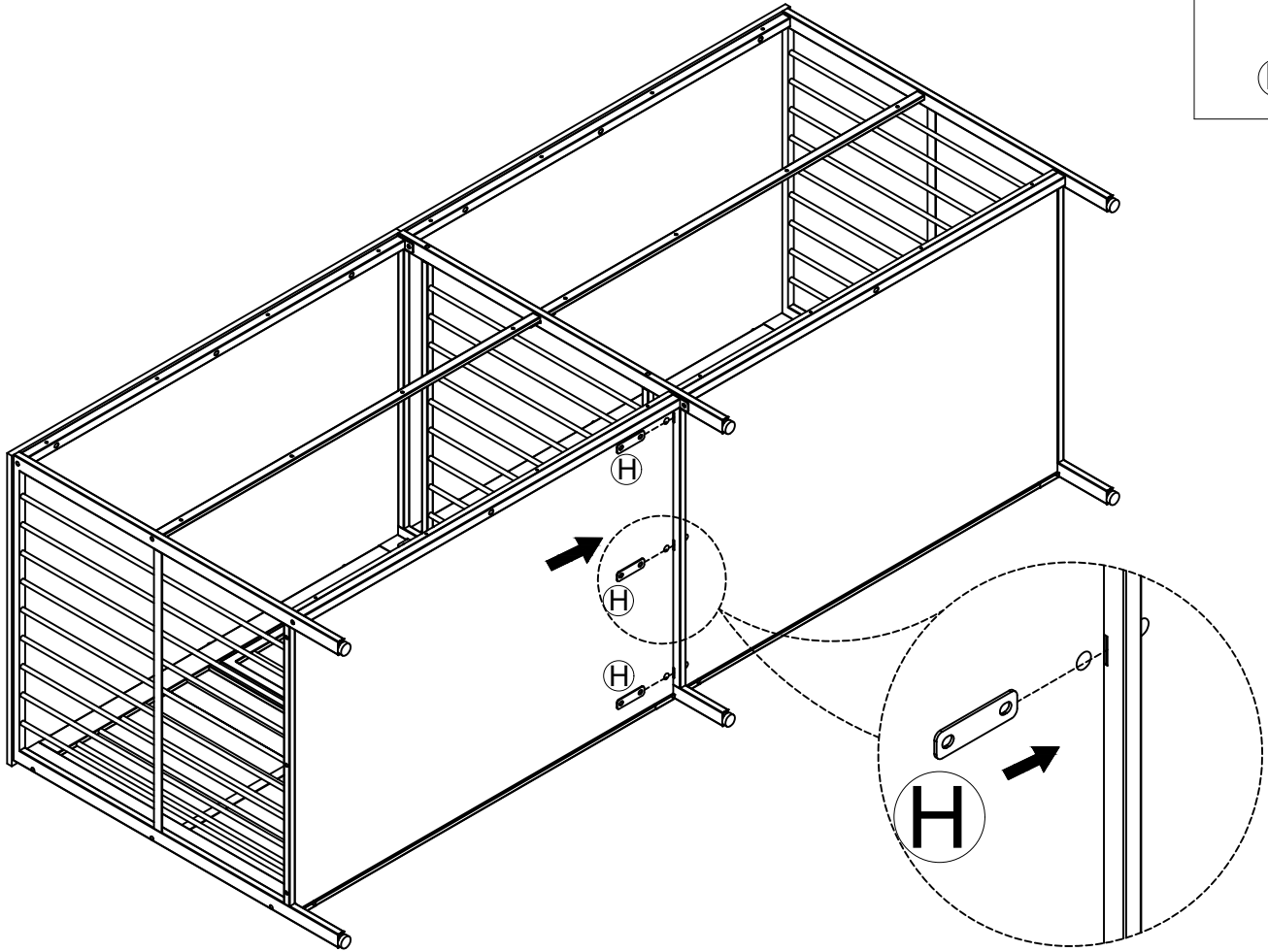


Note : This is the shortest screw

STEP 18



(H) X3

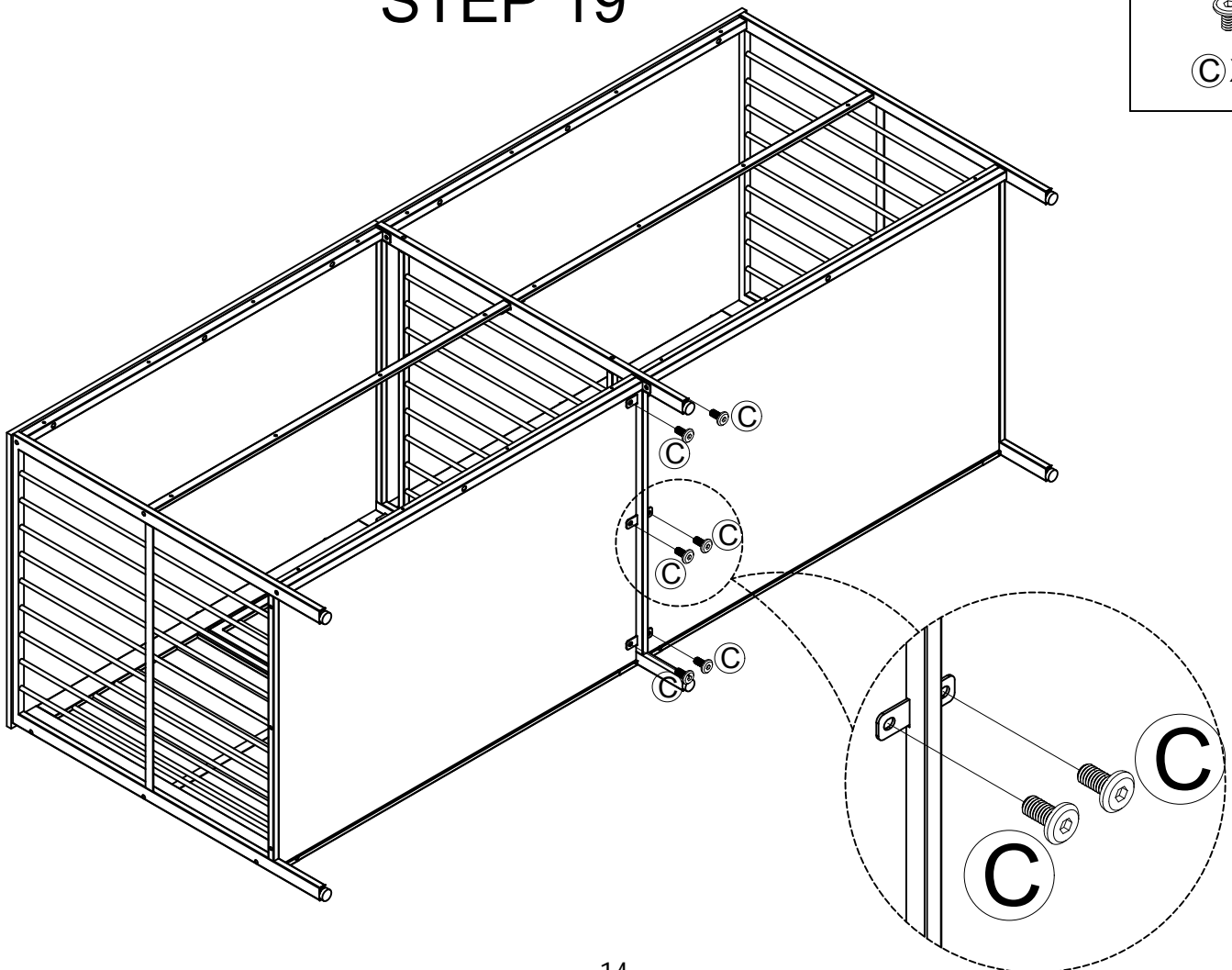


STEP 19



M6*10mm

(C) X6

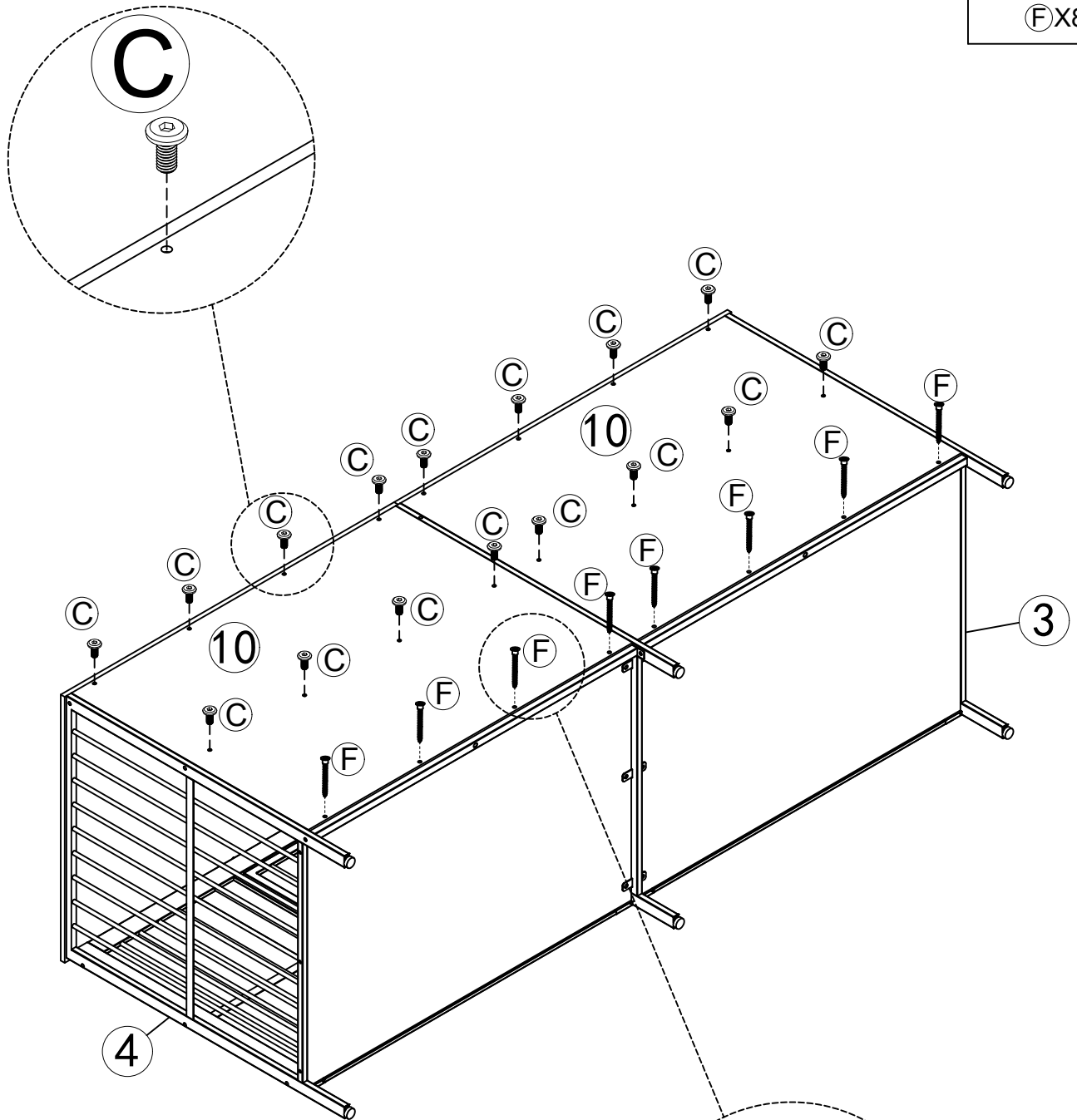


STEP 20

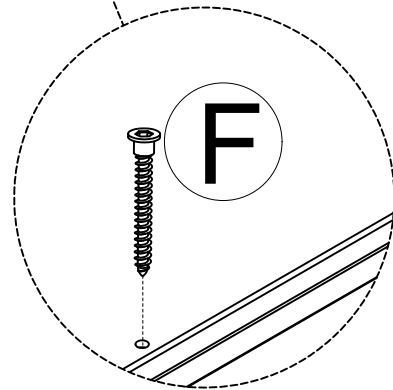
Screw in the C screws to 80% first. After completing the alignment, tighten all screws (including screws for other components) to 100%.

M6*10mm
C X16

ST15*45mm
F X8



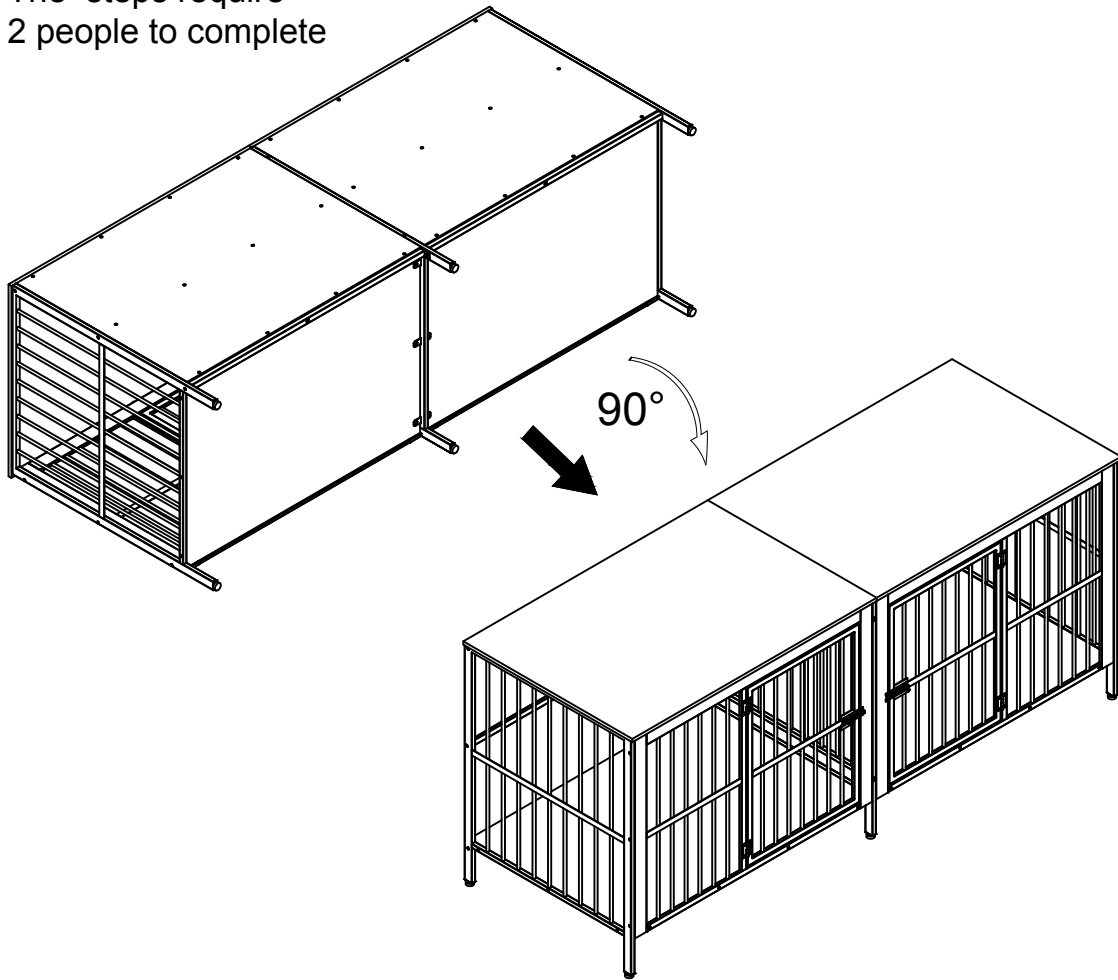
If the holes do not align, adjust the screws of the No. 3 and No. 4 outer frames to create enough space for alignment. After securing the back panel holes, retighten the screws of the No. 3 and No. 4 external frames




STEP 21

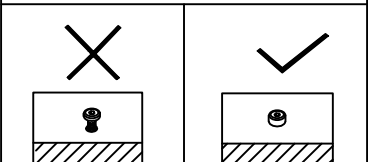


Note:
The steps require
2 people to complete

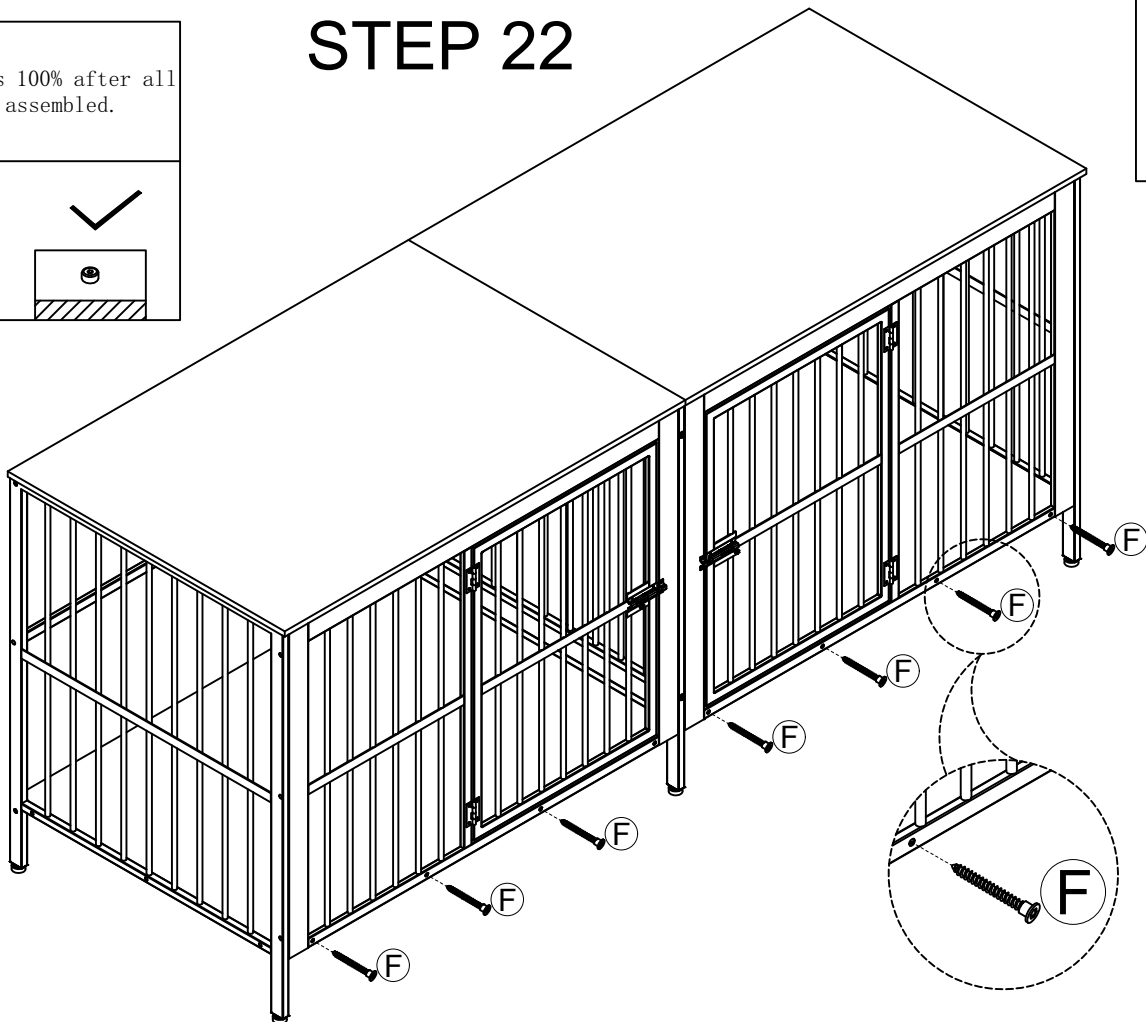


STEP 22

 All screws 100% after all parts are assembled.

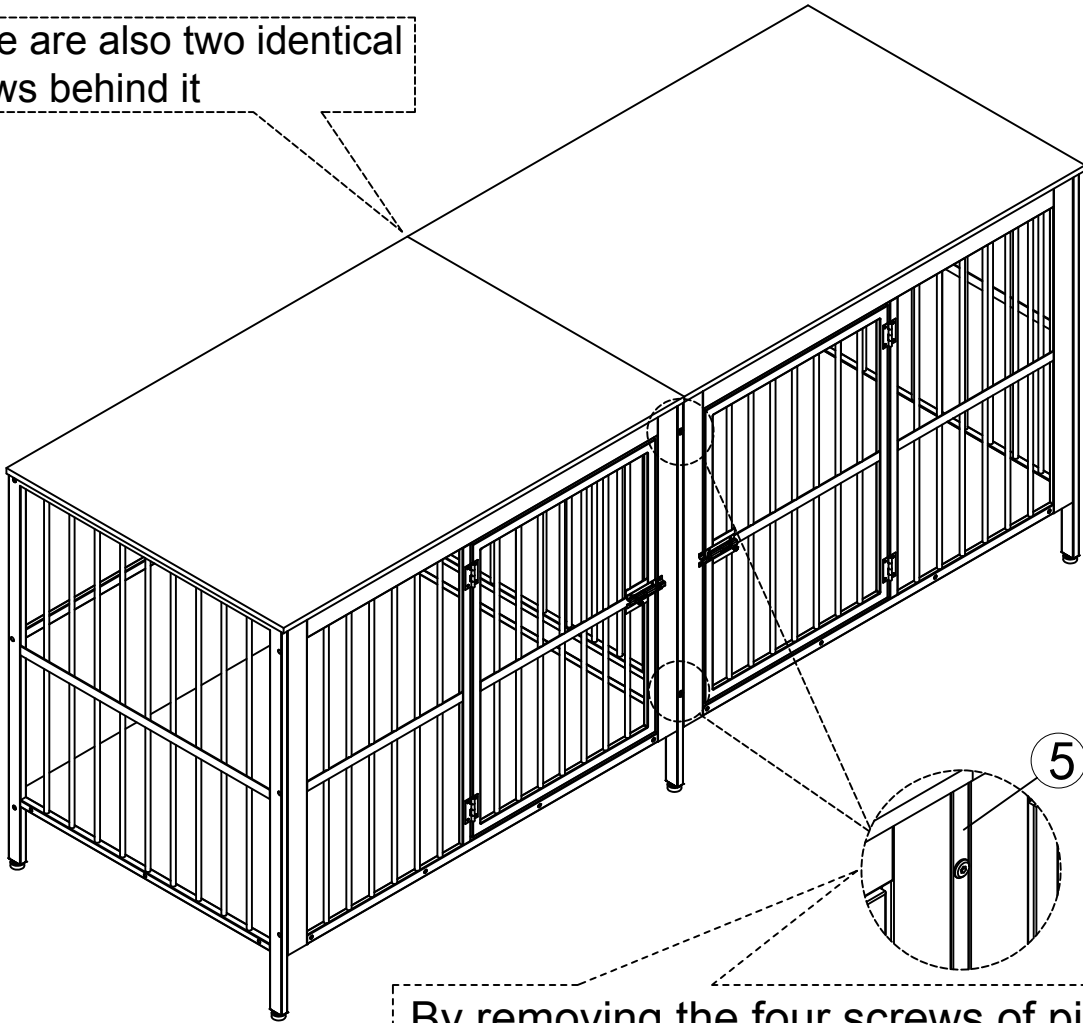


(F) X8

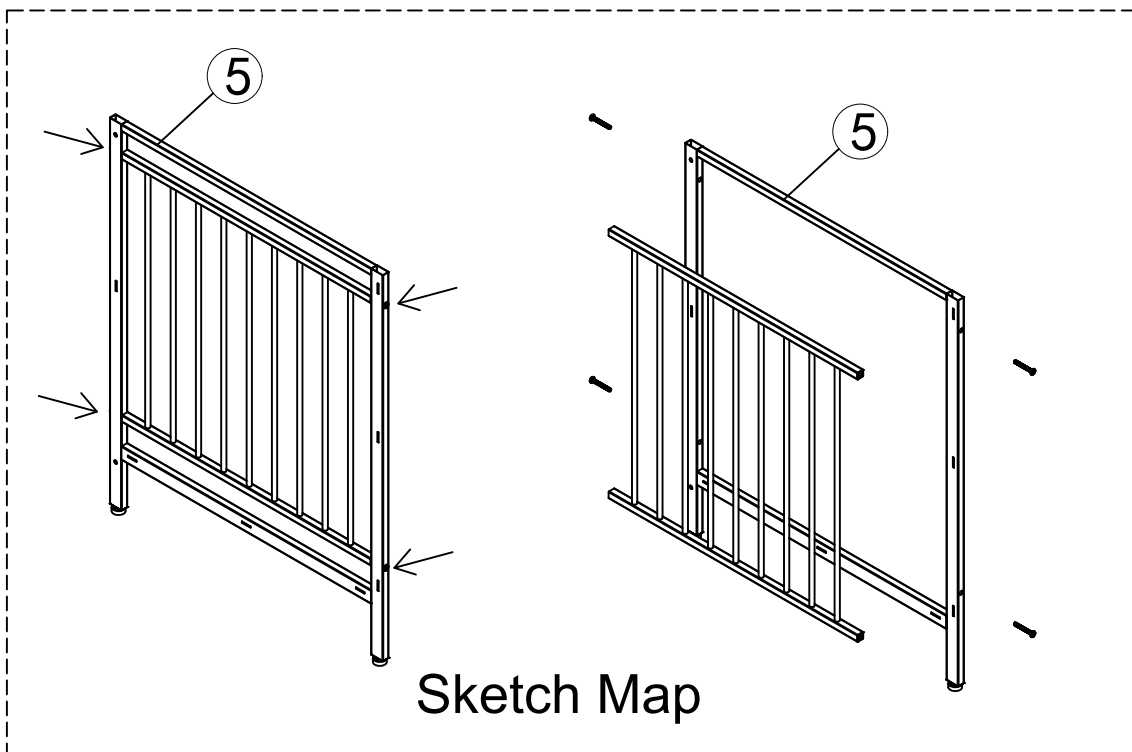


STEP 23

There are also two identical screws behind it



By removing the four screws of piece 5, you can remove the compartment in the middle of the dogcage.



Sketch Map